

One-piece suspension ring

CLRU



Description

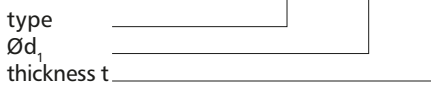
One-piece suspension rings are designed for installation of ducts made in EPP. The lugs at the top of the suspension ring top are tied together with a steel bolt and a matching nut.

Available materials:

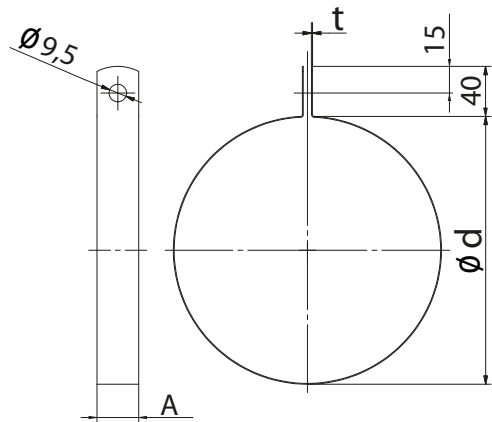
- CLRU-...-... - galvanized steel sheet
- CLRU-K-...-... - 1.4301/304 stainless steel sheet
- CLRU-K-...-...-316L - 1.4404/316L stainless steel sheet, molybdenum-enriched

Example of marking:

Product code: **CLRU - 160 - 120**



Dimensions



$\varnothing d$ [mm]	A [mm]	t [mm]	A [mm]	t [mm]
125	25	2.0	30	1.2
150	25	2.0	30	1.2
160	25	2.0	30	1.2
180	25	2.0	30	1.2

Assembly method

